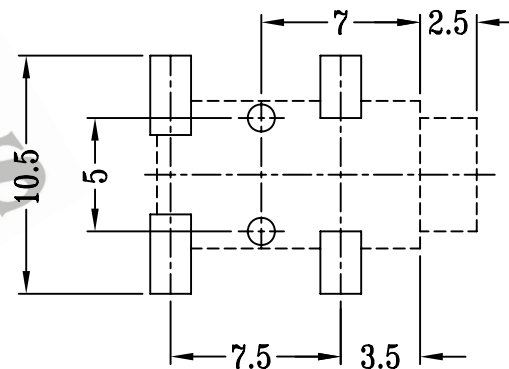
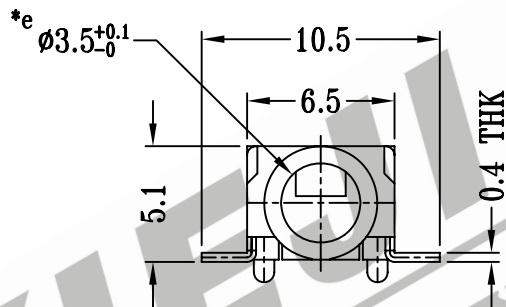
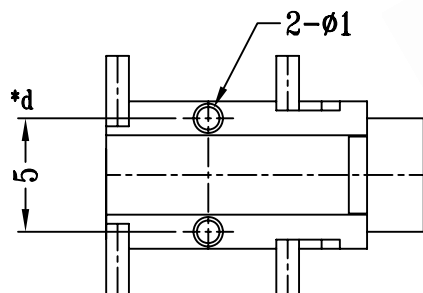
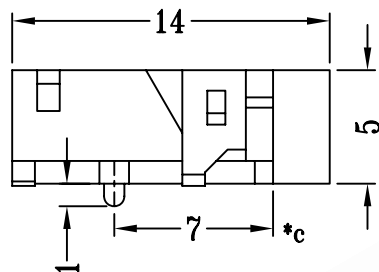
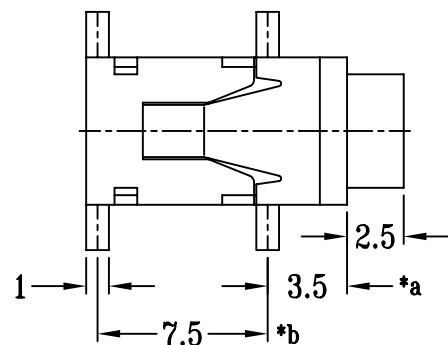
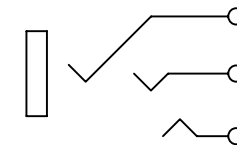


CAD FILE:



P.C.B LAYOUT



SCHEMATIC

注:带"*"表示关键尺寸(5个)

8					TOLERANCE UNLESS SPECIFIED	SHENZHEN XIEJIA ELECTRONICS CO.,LTD.				
7										
6					WITHIN: 1.5±0.1mm OVER: 1.5±0.2mm	ISSUE	DATE	DESCRIPTIONS OF REVISION		APPD.
5										
4	TERMINAL B	PBS STRIP	1	Ag PLATED OVER Ni PLATED	TITLE : PHONE JACK	UNIT : mm	DRWG NO.: XJ-DR-ST025-00			
3	TERMINAL A	PBS STRIP	1	Ag PLATED OVER Ni PLATED						
2	TERMINAL C	PBS STRIP	1	Ag PLATED OVER Ni PLATED						
1	CASE	NYLON+F.G+94V0	1	BLACK	MODEL: ST-025	SCALE: 3:1	CHK'D	ZHOUYU	2002-10-12	
NO.	PARTS	MATERIALS	Q'TY	FINISH			ALL MATERIALS MUST BE COMPLIANT TO ROHS	APPD.	KANGXINAN	2002-10-12